

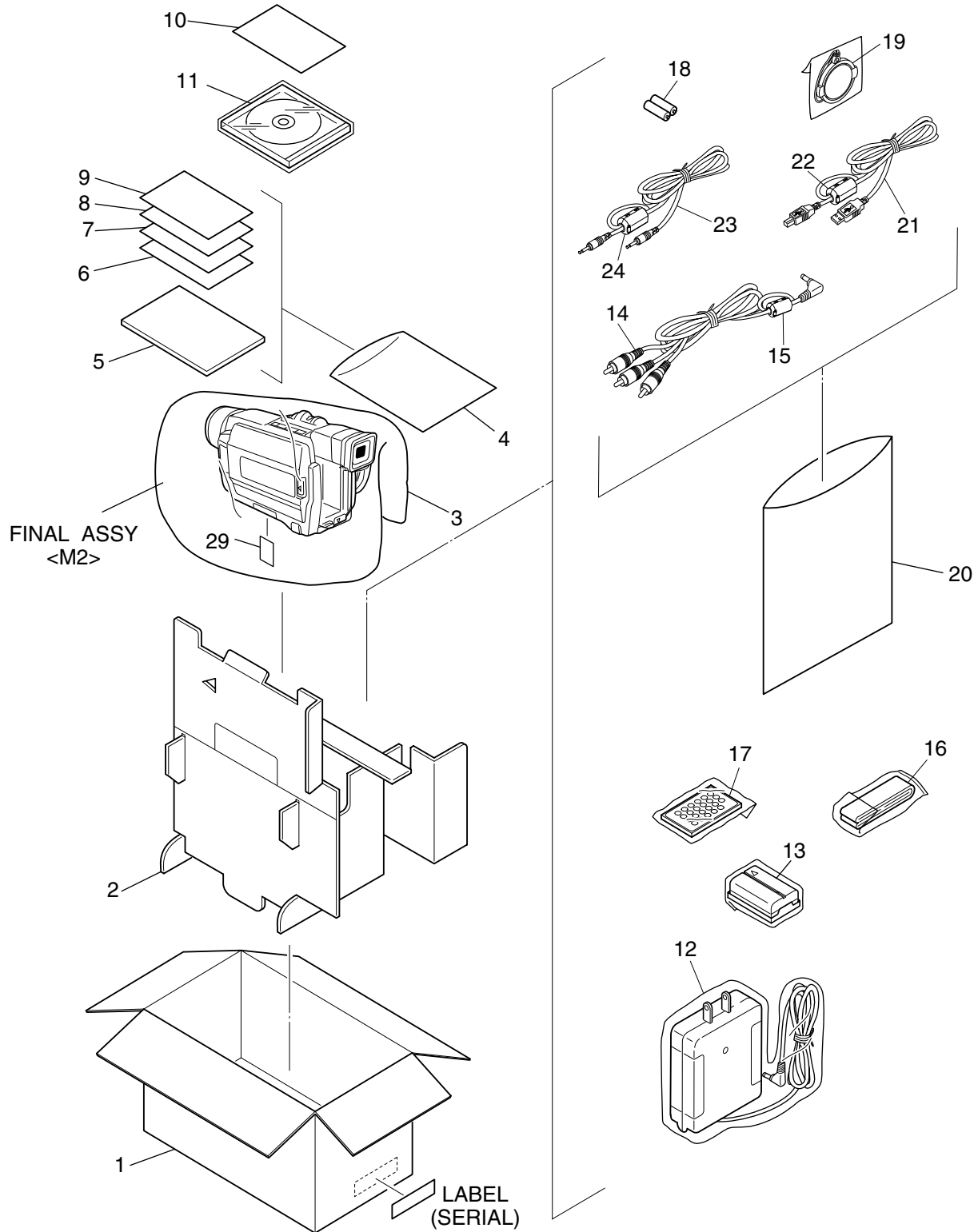
# SECTION 5 PARTS LIST

## SAFETY PRECAUTION

Parts identified by the  $\triangle$  symbol are critical for safety. Replace only with specified part numbers.

### 5.1 PACKING AND ACCESSORY ASSEMBLY <M1>

The instruction manual to be provided with this product will differ according to the destination.



| # | △ REF No. | PART No. | PART NAME, DESCRIPTION |
|---|-----------|----------|------------------------|
|---|-----------|----------|------------------------|

\*\*\*\*\*

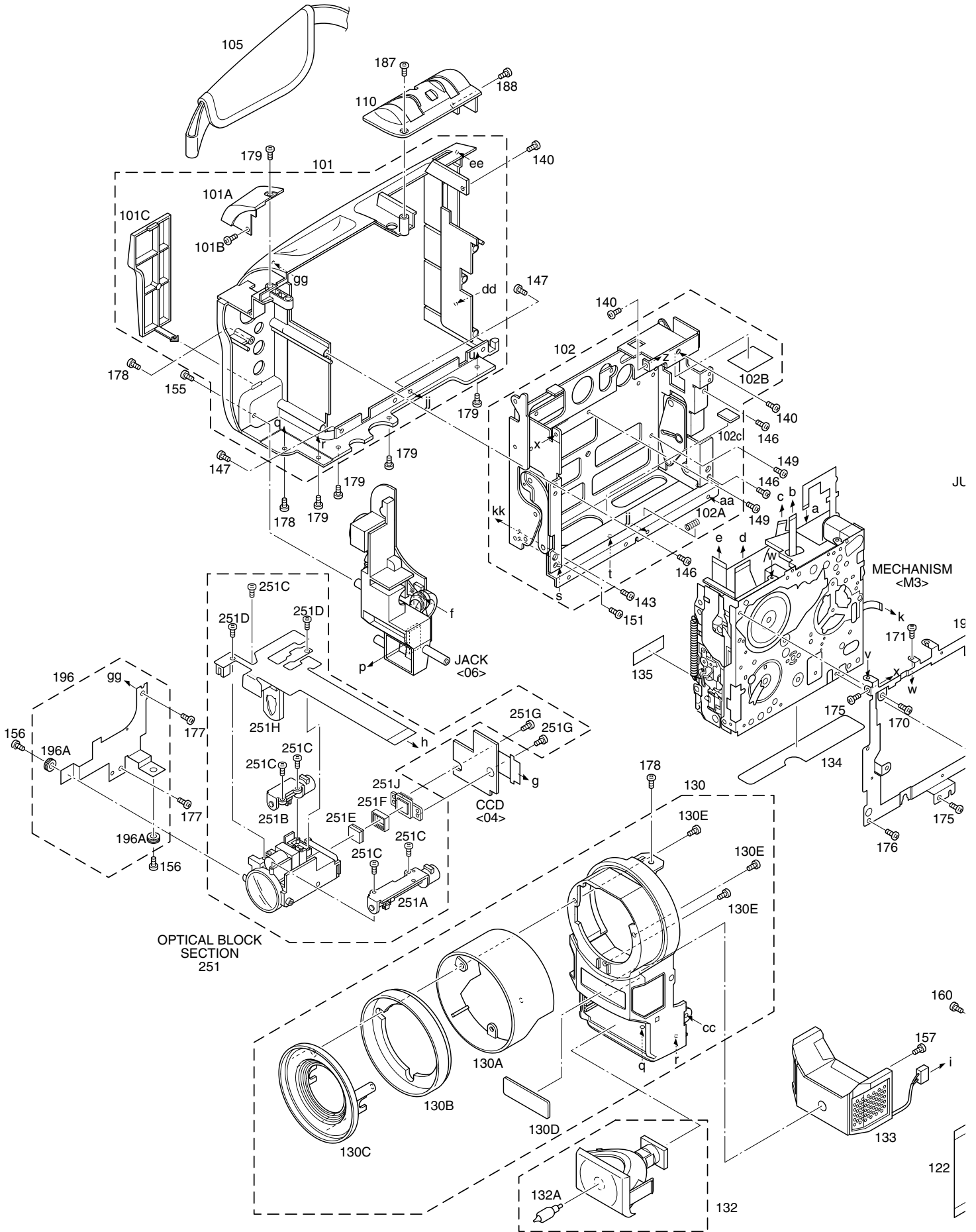
**PACKING AND ACCESSORY ASSEMBLY <M1>**

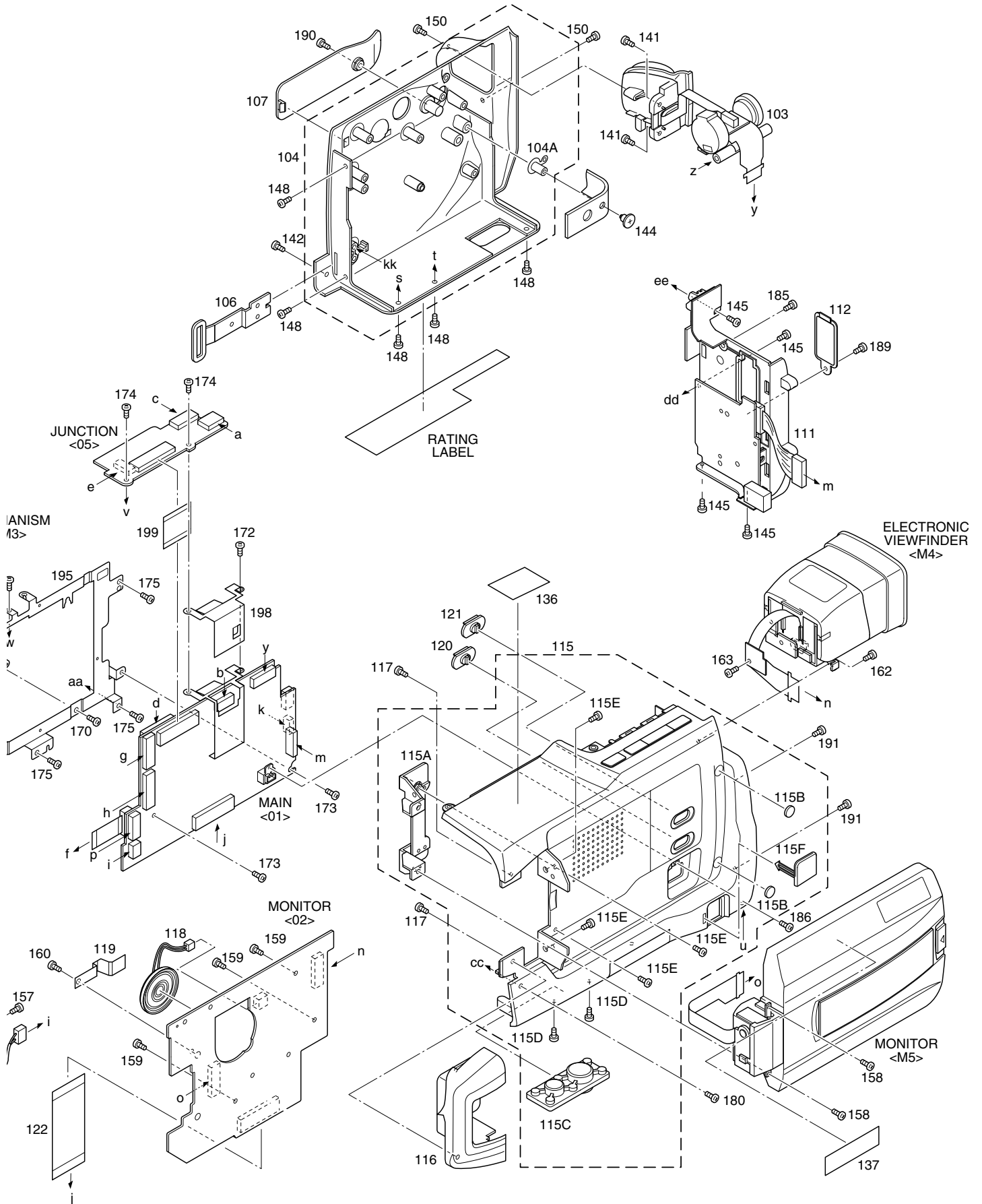
|      |               |                              |
|------|---------------|------------------------------|
| 1    | LY32095-009A  | PACKING CASE                 |
| 2    | LY32096-001A  | CUSHION                      |
| 3    | LY30023-008A  | POLY BAG                     |
| 4    | QPA02003006   | POLY BAG                     |
| △ 5  | LYT0815-001A  | INST.BOOK(EN)                |
| △    | LYT0815-002A  | INST.BOOK(FR)                |
| △    | LYT0815-003A  | INST.BOOK(SP)                |
| △ 6  | LYT0766-001B  | INST.BOOK(SOFT.3LANG)        |
| 7    | LYT0378-003A  | SHEET(AGREMENT)              |
| 8    | YU10350       | Q.CARD(JCA)                  |
| 9    | BT-51005-4    | WARRANTY INF.                |
| 10   | BT-51020-2    | REGIST.CARD                  |
| 11   | LY32210-009A  | CD ROM                       |
| △ 12 | LY20739-001A  | AC ADAPTER,AP-V10U           |
| △ 13 | LY31587-001A  | BATTERY PACK,BN-V408U        |
| 14   | QAM0211-001   | CABLE ASSY,AUDIO/VIDEO CABLE |
| 15   | QQR0918-002   | CORE FILTER                  |
| 16   | LY20186-001A  | SHOULDER STRAP               |
| 17   | LY20543-002A  | REMOTE CONTROL UNIT,RM-V716U |
| 18   | -             | BATTERY,AAA(R03),X2          |
| 19   | LY42182-001A  | LENS CAP                     |
| 20   | QPGA017-03005 | POLY BAG                     |
| 21   | QAM0352-001   | USB CABLE                    |
| 22   | QQR0918-002   | CORE FILTER                  |
| 23   | PEAC0428-150  | CABLE ASSY                   |
| 24   | QQR0491-002   | CORE FILTER                  |
| 29   | QAM0262-002   | MEMORY CARD                  |

**• INSTRUCTIONS**

EN ..... ENGLISH  
FR ..... FRENCH  
SP ..... SPANISH

5.2 FINAL ASSEMBLY <M2>





| #                                | △ REF No.     | PART No. | PART NAME, DESCRIPTION         |
|----------------------------------|---------------|----------|--------------------------------|
| *****                            |               |          |                                |
| <b>FINAL ASSEMBLY &lt;M2&gt;</b> |               |          |                                |
| 101                              | LY20706-003C  |          | LOWER CASE ASSY                |
| 101A                             | LY32098-001A  |          | WINDOW(IR)                     |
| 101B                             | LY30018-063A  |          | SPECIAL SCREW                  |
| 101C                             | LY32099-001C  |          | COVER(JACK)                    |
| 102                              | LY20697-001B  |          | ARM ASSY                       |
| 102A                             | LY30001-023A  |          | TENSION SPRING                 |
| 102B                             | LY30029-0C7A  |          | SPACER(A)                      |
| 102C                             | LY30029-0E9A  |          | SPACER(A)                      |
| 103                              | LY20693-001A  |          | ZOOM UNIT                      |
| 104                              | LY20704-001B  |          | CASS.COVER ASSY                |
| 104A                             | LY40592-001A  |          | CAP(GRIP BELT)                 |
| 105                              | LY20575-004B  |          | GRIP BELT                      |
| 106                              | LY42891-001A  |          | HOOK(GRIP)                     |
| 107                              | LY32092-032A  |          | COVER(AJUST)                   |
| 110                              | LY32093-001A  |          | COVER(ZOOM)ASSY                |
| 111                              | LY20725-001A  |          | REAR UNIT                      |
| 112                              | LY41691-001A  |          | COVER(JIG)                     |
| 115                              | LY20707-004B  |          | UPPER CASE(2.5) ASSY           |
| 115A                             | LY32101-001A  |          | BRACKET                        |
| 115B                             | LY40664-001A  |          | SPACER,X2                      |
| 115C                             | LY31019-001A  |          | BASE                           |
| 115D                             | LY30018-084A  |          | SPECIAL SCREW,X2               |
| 115E                             | LY30018-0A8A  |          | SPECIAL SCREW,X4               |
| 115F                             | LY42866-001A  |          | CAP(DC JACK)                   |
| 116                              | LY32106-001A  |          | COVER(HINGE)                   |
| 117                              | LY30018-084A  |          | SPECIAL SCREW,X2               |
| 118                              | QAS0048-001   |          | SPEAKER                        |
| 119                              | LY42167-001A  |          | PLATE(SPK)                     |
| 120                              | LY42919-001A  |          | KNOB(SLIDE)                    |
| 121                              | LY42919-002A  |          | KNOB(SLIDE)                    |
| 122                              | QUQ105-5007AA |          | FFC WIRE,MAIN CN101-MONI CN761 |
| △ 130                            | LY20711-001A  |          | FRONT COVER ASSY               |
| 130A                             | LY32111-001A  |          | HOOD                           |
| 130B                             | LY32112-001A  |          | RING                           |
| 130C                             | LY32113-001A  |          | HOOD(SCREW)                    |
| 130D                             | LY42953-001A  |          | MARK                           |
| 130E                             | LY30018-052A  |          | SPECIAL SCREW,X3               |
| 132                              | LY31617-002A  |          | DC LIGHT ASSY                  |
| 132A                             | YQ44266       |          | LAMP                           |
| 133                              | LY32114-001A  |          | MICROPHONE                     |
| 134                              | LY40698-002A  |          | LABEL(HOUSING)                 |
| 135                              | LY40699-002A  |          | LABEL(PUSH)                    |
| 136                              | LY43093-012A  |          | STICKER(TOP)                   |
| 137                              | LY43094-003A  |          | STICKER(SIDE)                  |
| 140                              | LY30018-084A  |          | SPECIAL SCREW,X3               |
| 141                              | LY30018-096A  |          | SPECIAL SCREW,X2               |
| 142                              | LY30018-038A  |          | SPECIAL SCREW                  |
| 143                              | LY30018-084A  |          | SPECIAL SCREW                  |
| 144                              | LY30018-0D1A  |          | SPECIAL SCREW                  |
| 145                              | LY30018-084A  |          | SPECIAL SCREW,X4               |
| 146                              | LY30018-084A  |          | SPECIAL SCREW,X3               |
| 147                              | LY30018-038A  |          | SPECIAL SCREW,X2               |
| 148                              | LY30018-038A  |          | SPECIAL SCREW,X5               |
| 149                              | LY30018-084A  |          | SPECIAL SCREW,X2               |
| 150                              | LY30018-084A  |          | SPECIAL SCREW,X2               |
| 151                              | LY30018-023A  |          | SPECIAL SCREW                  |
| 155                              | LY30018-084A  |          | SPECIAL SCREW                  |
| 156                              | LY30019-029B  |          | SPECIAL SCREW,X2               |
| 157                              | LY30018-023A  |          | SPECIAL SCREW                  |

| #    | △ REF No.    | PART No. | PART NAME, DESCRIPTION            |
|------|--------------|----------|-----------------------------------|
| 158  | LY30018-0D6A |          | SPECIAL SCREW,X2                  |
| 159  | LY30018-023A |          | SPECIAL SCREW,X3                  |
| 160  | LY30018-006B |          | SPECIAL SCREW                     |
| 162  | LY30018-063A |          | SPECIAL SCREW                     |
| 163  | LY30018-064A |          | SPECIAL SCREW                     |
| 170  | LY30019-026A |          | SPECIAL SCREW,X2                  |
| 171  | YQ43893-4    |          | MINI SCREW                        |
| 172  | YQ43893-4    |          | MINI SCREW                        |
| 173  | LY30019-033A |          | SPECIAL SCREW,X2                  |
| 174  | QYSPSPT1730Z |          | SCREW,X2                          |
| 175  | LY30018-066A |          | SPECIAL SCREW,X4                  |
| 176  | LY30018-084A |          | SPECIAL SCREW                     |
| 177  | LY30018-084A |          | SPECIAL SCREW,X2                  |
| 178  | LY30018-084A |          | SPECIAL SCREW,X3                  |
| 179  | LY30018-084A |          | SPECIAL SCREW,X5                  |
| 180  | LY30018-092A |          | SPECIAL SCREW                     |
| 185  | LY30018-065A |          | SPECIAL SCREW                     |
| 186  | LY30018-006B |          | SPECIAL SCREW                     |
| 187  | LY30018-092A |          | SPECIAL SCREW                     |
| 188  | LY30018-065A |          | SPECIAL SCREW                     |
| 189  | LY30018-037A |          | SPECIAL SCREW                     |
| 190  | LY30018-037A |          | SPECIAL SCREW                     |
| 191  | LY30018-084A |          | SPECIAL SCREW,X2                  |
| 195  | LY20696-001A |          | BRACKET(MECHA)                    |
| 196  | LY42846-001A |          | BKT(OP) ASSY                      |
| 196A | LY42796-001A |          | BUSH,X2                           |
| 198  | LY32081-001A |          | SHIELD PLATE                      |
| 199  | WJT0044-001A |          | E-CARD WIRE,MAIN CN113-JUNC CN571 |

**- OPTICAL BLOCK SECTION -**

|      |              |  |                    |
|------|--------------|--|--------------------|
| 251  | J7A-133A     |  | OPTICAL BLOCK ASSY |
| 251A | LY30723-001B |  | ZOOM MOTOR         |
| 251B | LY30724-001B |  | FOCUS MOTOR        |
| 251C | LY30727-002A |  | SCREW,X5           |
| 251D | LY30727-001A |  | SCREW,X2           |
| 251E | LY42936-001A |  | OPTICAL LPF        |
| 251F | LY31639-001A |  | SPACER RUBBER      |
| 251G | QYSPSGU1750Z |  | SCREW,X2           |
| 251H | LY32160-001A |  | IRIS MOTOR         |
| 251J | YS40168E     |  | CCD BASE ASSY      |